

Recessed CE3535

# CE3535-A180



# CE3535-A180

## Basic Parameters

Application	Indoor
Material	AL6063-T5,spraying surface
IP Grade	IP20
Warranty	5 years

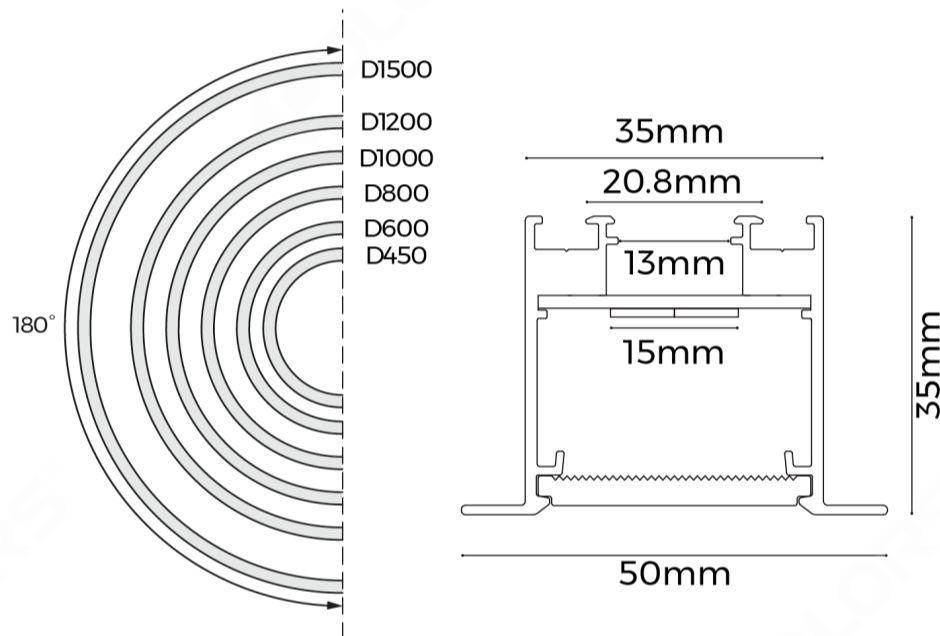
## Electrical Parameters

## Optical Parameters

Length	D450mm,D600mm,D800mm,D1000mm,D1200mm,D1500mm
Luminous Efficacy	70LM/W



## Dimensions

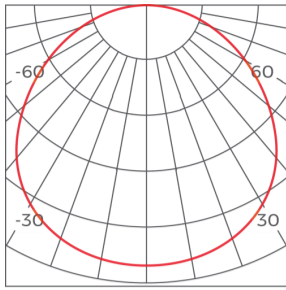


## Luminaire Parameters

Version	Size(mm)	Power(W)	PCB Current(A)	CRI	CCT	Lumens(LM) @White,Sliver	Lumens(LM) @Black
Regular	D450mm	12	0.5	>80	4000K	840	714
Regular	D600mm	17	0.71	>80	4000K	1190	1011
Regular	D800mm	23	0.96	>80	4000K	1610	1368
Regular	D1000mm	30	1.25	>80	4000K	2100	1785
Regular	D1200mm	36	1.5	>80	4000K	2520	2142
Regular	D1500mm	44	1.83	>80	4000K	3080	2618
Regular	D450mm	12	0.5	>90	4000K	722	614
Regular	D600mm	17	0.71	>90	4000K	1023	869
Regular	D800mm	23	0.96	>90	4000K	1384	1176
Regular	D1000mm	30	1.25	>90	4000K	1806	1535
Regular	D1200mm	36	1.5	>90	4000K	2167	1842
Regular	D1500mm	44	1.83	>90	4000K	2648	2251

## Light Distribution

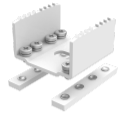
Regular-110°



h(m)	D(cm)	E(lx)
1	277	728
2	554	182
3	831	80
4	1108	44

Common Accessories

Splicing accessory



**EX-E15**  
 Applicable product model: CS3535/C E3535 Material process:SPCC/ Electro phoresis Size: L31.5\*W30\*H18mm Quantity: 1 PCS/SET Other:Includes mounting screws.

Dedicated light source



**DA1682415**  
 Applicable product model : AS3535/AH5060 Size: 5000\*15\*1.5mm Cutting Unit : 35.71mm Input Voltage : DC24V Typ.Power : 20W/M Typ.luminous flux: 756LM/M CCT:RGB CRI: / Other : 20# wire diameter, outer diameter 5mm, red-green-blue-white 4PIN transparent crystal cable



**DMA1202415**  
 Applicable product model : AS3535/AH5060 Size: 4000\*15\*1.5mm Cutting Unit : 50mm Input Voltage : DC24V Typ.Power : 25W/M Typ.luminous flux: 724LM/M CCT: RGB Control Mode:DMX CRI: / Other : 20# wire diameter, outer diameter 5mm, red-green-blue-white 4PIN transparent crystal cable



**DS81602415**  
 Applicable product model : AS3535/AH5060 Size: 5000\*15\*1.5mm Cutting Unit : 50mm Input Voltage : DC24V Typ.Power : 19.2W/M Typ.luminous flux: 2880LM/M CCT: 2700/3000/3500/4000/5000/6500K CRI: 80/90 Other : 18# wire diameter,PVC material, 2PIN red-black wire



**DS83202415**  
 Applicable product model:AS3535/AH5060 Size: 4000\*15\*1.5mm Cutting Unit:50mm/16LEDs Input Voltage:DC24V Typ.Power:38.4W/M(2700K+6500K) Typ.luminous flux: 2880LM/M@2700K CCT: 2700K+6500K CRI: 80/90 Other:Outer diameter 6mm,18# wire diameter, brown-blue-green 3PIN crystal wire

Cover



**CV-CS3535D**  
 Applicable product model:CS3535/C S3570/CE3535(suitable for down-lighting) Diffuser Nature: Diffuser Material process: silica gel flexible/frosting Light transmittance:≥55% Size: 20000\*32\*3.5mm Other: Fire protection rating UL94-V2; increased silicone oil on both sides (dustproof)

Controller



**CR2-GBA**  
 Product Name: CR2-GBA Input Voltage: 12-48V Output Current:8A\*2CH,Max 16A Output Power:192W/384W@12V/24V , 384W/576W@36V/48V Dimming Mode: Two-color 2.4 remote control IP:IP20 Product Size:L175\*W45\*H27(mm)

## End cap accessory



### EC-ME3535

Applicable product model: ME3535  
Material process: aluminum/ powder spraying  
Size: L50\*W35\*H2.5mm  
Quantity: 2PCS/ set

## Installation accessory



### CP-53

Applicable product model: MS3535/MS3570/ME3535  
Applicable installation: Pendant/Ceiling/Recessed  
Material process: Stainless Steel  
Size: L22.67\*W20\*H5.3mm  
Quantity: 4 PCS/SET



### RB-04

Applicable product model: ME3535/ME5035/ME7035  
Installation method: Recessed  
Material process: aluminum alloy/oil spray  
Size: 24\*6.9\*15.7mm  
Quantity: 4PCS/ set

## CCT-Remote control



### R7-1

Product Name: R7-1 Dual Color Remote  
Working Voltage: 3VDC (Battery CR2032)  
Operating Frequency: 2.4GHz  
Remote Control Distance: 30 meters  
Operating Temperature: -30°C~55°C  
Product Size: L107\*W58.5\*H9(mm)

## Power Supply



### BK-DEV200-24VOD

Applicable product model: General  
Dimming mode: DALI2, PUSH-dimming, 1-10V 3in1 dimming  
Size: 361\*33.1\*22.8mm  
Input voltage: AC200-240V  
Operating frequency: 50/60Hz  
PF value:  $\geq 0.9$   
Output voltage: DC24V  
Output current:  $\leq 8.3A$   
Power: 200W  
Efficiency: 0.92  
Certification: TUV, CE, RCM  
Case material: Metal housing



### BK-DGVX-24VOD

Product Name: BK-DGV036-24VOD/BK-DGV060-24VOD/BK-DGV100-24VOD  
Applicable product model: General  
Output power: 36W/60W/100W  
Output current:  $\leq 1.5A/\leq 2.5A/\leq 4.2A$   
Product size: 245.0\*30.0\*21.0mm/285.0\*30.0\*21.0mm/355.0\*30.0\*21.0mm  
Input voltage: AC200-240V  
Input voltage: AC200-240V  
Operating frequency: 50/60Hz  
Output voltage: DC24V  
PF value:  $\geq 0.9$   
Efficiency:  $\geq 0.88$   
IP: IP20  
Dimming mode: DALI-2, PUSH-Dimming, 1-10V 3in1 Dimming  
Certification: CE, ENEC, UKCA, RCM, CCC, EL  
Material: Metal housing  
Warranty: 5 years



### BK-MEV200-24VOM

Applicable product model: General  
Dimming mode: 1-10V Dimming  
Size: 321.5\*48\*30mm  
Input voltage: AC200-240V  
Operating frequency: 50/60Hz  
PF value:  $\geq 0.9$   
Output voltage: DC24V  
Output current:  $\leq 8.3A$   
Power: 200W  
Efficiency: 0.93  
Certification: CE, ENEC, UKCA, RCM, CCC, EL  
Case material: Metal housing



### BK-MGVX-24VOM

Product Name: BK-MGV036-24VOM/BK-MGV060-24VOM/BK-MGV100-24VOM  
Applicable product model: General  
Output power: 36W/60W/100W  
Output current:  $\leq 1.5A/\leq 2.5A/\leq 4.2A$   
Product size: 245.0\*30.0\*21.0mm/285.0\*30.0\*21.0mm/355.0\*30.0\*21.0mm  
Input voltage: AC200-240V  
Operating frequency: 50/60Hz  
Output voltage: DC24V  
PF value:  $\geq 0.9$   
Efficiency:  $\geq 0.89$   
IP: IP20  
Dimming mode: 1-10V Dimming  
Certification: TUV, CE, ENEC, RCM  
Material: Metal housing  
Warranty: 5 years



### LF-GHYXH24

Applicable product model: General  
Dimming mode: Non-Dimming  
Size: 316\*30.7\*22.8mm / 361\*33.1\*22.8mm  
Input voltage: AC220-240V  
Operating frequency: 50/60Hz  
PF value:  $\geq 0.9$   
Output voltage: DC24V  
Output current:  $\leq 4.25A / \leq 10A$   
Power: 100W / 240W  
Efficiency: 0.92  
Certification: ENEC, CE, CB, RCM, UKCA, MM, CCC  
Case material: Plastic

## Packing

QTY/CTN	N. WT (ctn)	G.WT (ctn)	Size (cm/carton)	Product Size (mm)
50	22.3	24.53	175.5*49*34	D450*35*35mm
40	23.8	26.18	168*66.5*34	D600*35*35mm
30	23.8	26.18	149*86*34	D800*35*35mm
25	24.8	27.28	143*106*34	D1000*35*35mm
20	24	26.4	172.5*126*27.5	D1200*35*35mm
15	22.2	24.42	156*130*34	D1500*35*35mm

## Attentions

1. Non-professionals are prohibited from installing, disassembling and repairing the product.
2. Avoid scratching, distortion and irregular bending of the product during installation; otherwise it may cause irreparable damage to the product.
3. Please use professional cutting tools when cutting.
4. Do not use any acid or alkaline adhesive to fix products.
5. The product is only suitable for indoor dry places, can not be used in outdoor, seaside or wet environment.
6. PC features: Each 10°C rise or drop will make diffuser extend or shrink 0.8mm/m[0.01"/ft], please confirm before processing and use.